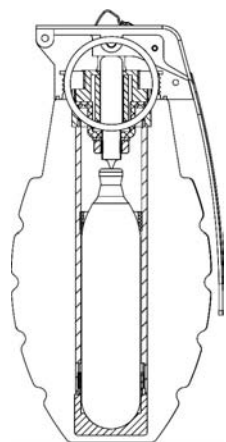


User's Manual

Thunder B



Warning: Before using this product, please read all instructions carefully

For Technical Support
Please visit
<http://www.hakkotsu.com>

Warning

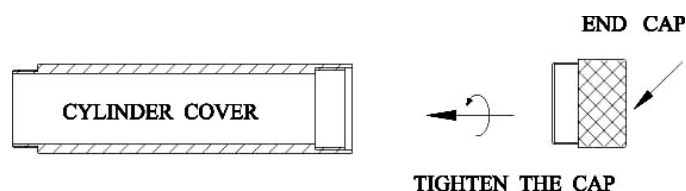
- Thunder B is not a toy. Misuse may cause serious injuries or death. You must be at least 18 years old to operate and handle thunder B. Person under 18 must have adult supervision. Always refer to this user manual for thunder B installation and operation
- Do not attempt to put other materials, rebuild or modify thunder B. This may cause serious injuries or break the thunder B. Unauthorized modifications of Thunder B will result in manufacturer's warranty voided.
- Thunder B does not contain any gun powder, it is a replica ONLY.
- Release thunder B immediately after pulling the striker lever up. Delay in releasing thunder B may cause serious injury to the thrower.
- Do not throw thunder B to any person or animal. Warn before throwing out thunder B. Beware of noise

Warning (Con')

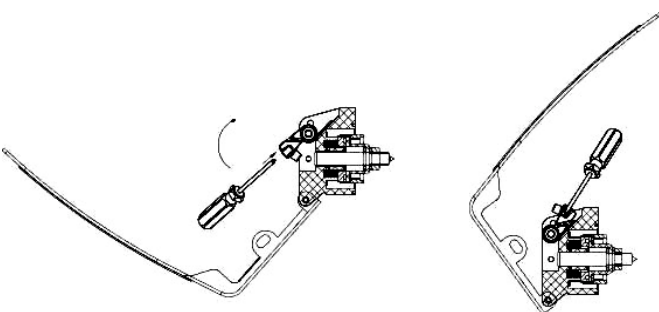
- Do not use thunder B after it has been installed for more than 24 hrs as the springs will lose efficacy
- Anyone suffered from cardiopathy, hypertension or any illness related to heart attack MUST NOT use thunder B
- Thunder B must put out of children's reach
- Keep thunder B away from fire or a extreme temperature area (not below $-5^{\circ}\text{C}/30\text{F}$ or above $45^{\circ}\text{C}/113\text{F}$)
- Do not use or display Thunder B in public place, avoid giving rise to public panic
- Keep hands and face away from ejecting Co2 gas. Used Co2 gas cylinder is very gold and can cause serious injury.
- Thunder B is an expendable goods, it consumed every time you use. Services and maintenances is needed in regular basis

Quick Installation

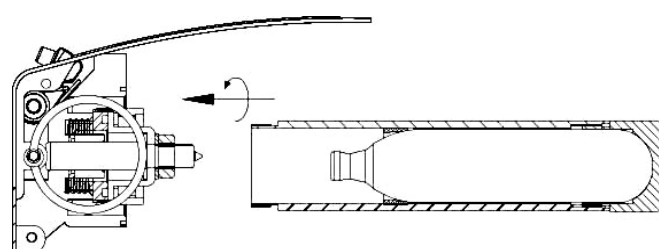
- 1 Screw the end cap to the cylinder cover



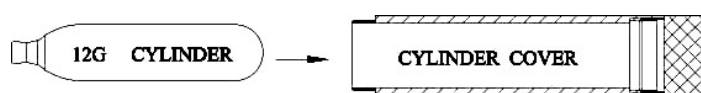
- 4 Locate the top hole of the hammer by a 3mm tool



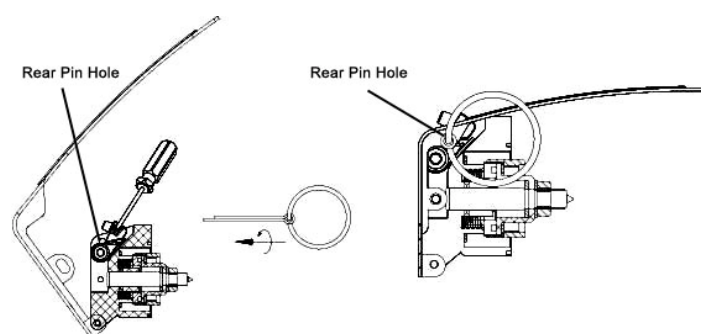
- 7 Screw the cylinder cover to the installed striker head



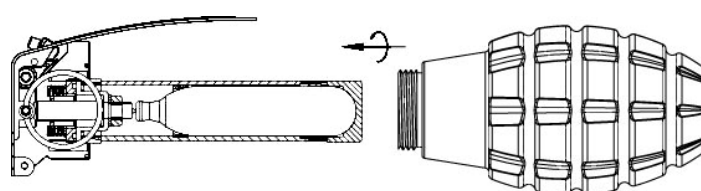
- 2 Insert 12g Co2 disposal gas into cylinder cover



- 5 Pull the hammer all the way down by the 3mm tool, insert safety pin to the rear pin hole to lock the hammer position



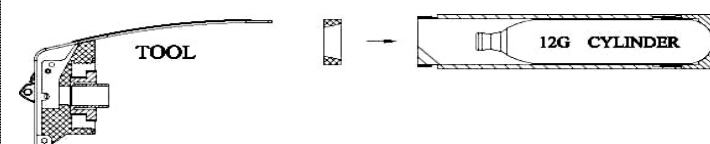
- 8 Screw the whole part to the Thunder B Shell



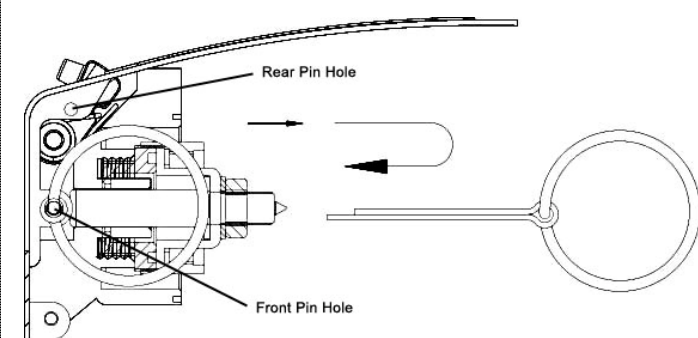
Warning:

- Release thunder B and take cover if you hear the Co2 gas leaking from the cylinder cover.
- Gas leakage may cause unexpected explode of Thunder B which might injure the user
- Services and Maintenance of Thunder B is needed if you found gas leakage

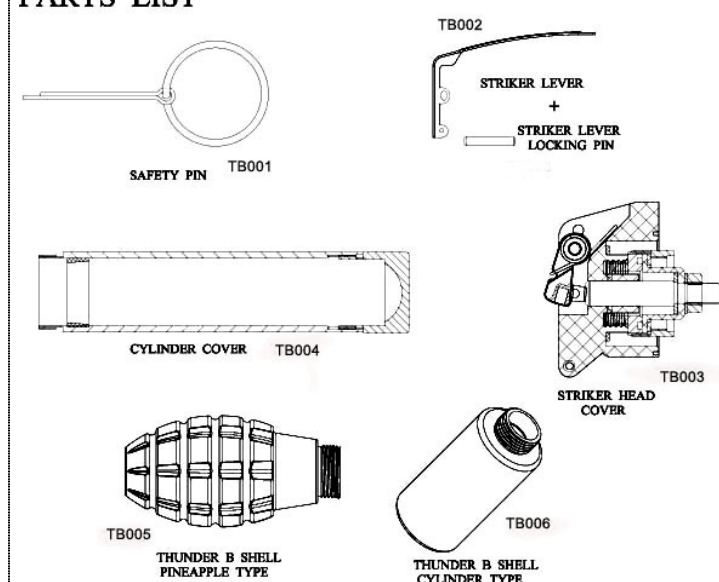
- 3 Push the rubber fixer into the cylinder cover by tool (fire lever)



6. Press and hold the fire lever, eject safety pin and insert it to the front pin hole, make sure the hammer head did not bounced back at this stage



PARTS LIST



Packing List

- Striker x 1
- Cylinder Cover x 1
- Thunder B Shell (Pineapple Style) x 2
- Thunder B Shell (Cylinder Style) x 1
- User Manual x 1
- Safety Pin x 2

Services and Maintenance Hints

- If the striker lever was bent after throw, you can bend the lever back to its original position by force (Hammer) before next use.

Safety Tips and Notice

- Reinstall the thunder B with caution (e.g. beware of striker scratched or frostbitten by gas cylinder)
- Reinstall and screw the rubber seal of the striker again when you reinstall the thunder B
- Use thunder B in a safety open area
- It is not recommend user to put other materials inside
- Do not throw the thunder B grenade directly to any person
- When using this product, approved goggles, face mask and ear protection must be worn at any time by all person in or near the area where thunder B could be used

Safety Tips and Notice (Con')

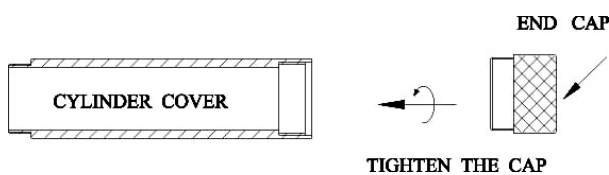
- Do not install gas cylinder unless you are ready to use thunder B
- Do not use thunder B in water, always use thunder B in safety area
- Do not use thunder B to explode other objects
- Treat every thunder B as if it was loaded
- Beware of striker pin jump out when you install thunder B
- Clean up the remnant after use, eco-awareness is highly recommended
- Only use 12g Co2 gas cylinder to operate Thunder B
- Do not use Thunder B after drink
- Do not eat or swallow thunder B
- Do not treat Thunder B as a water bottle, its not for water storage

Thunder B Manual

A. Installation Procedure

1. Cylinder Setup

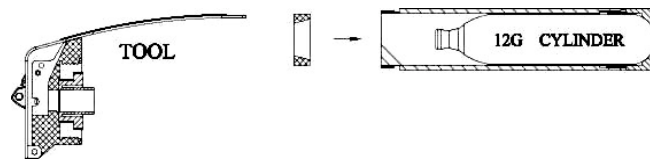
- 1.1 Make sure the end cap is screwed to the cylinder cover



- 1.2 Insert 12g Co2 gas into cylinder cover

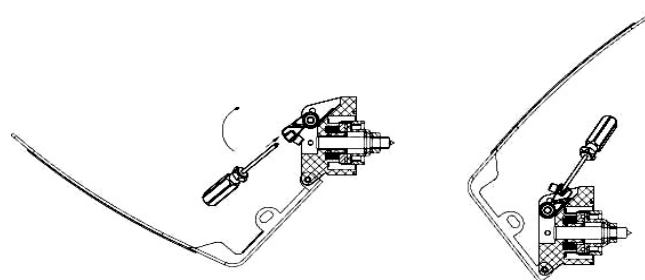


- 1.3 Put a rubber fixer(o-ring) onto the gas cylinder with the inner slope facing the cylinder Use appropriate tool (fire lever recommended) to push down the rubber fixer into the cylinder cover. Make sure both gas cylinder and cylinder cover are mounted properly.



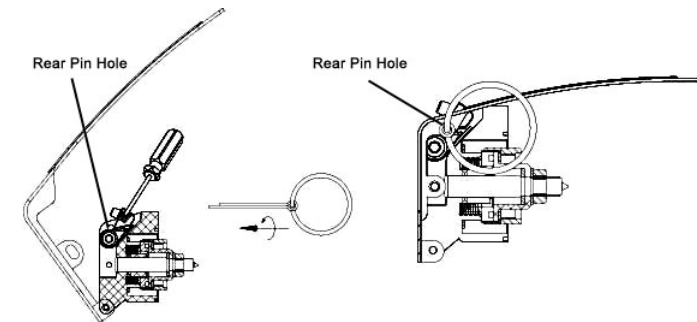
2. Striker Setup

- 2.1 Pull the striker lever up, find the top hole of the striker, use a 3mm tool to pull the hammer head all the way down

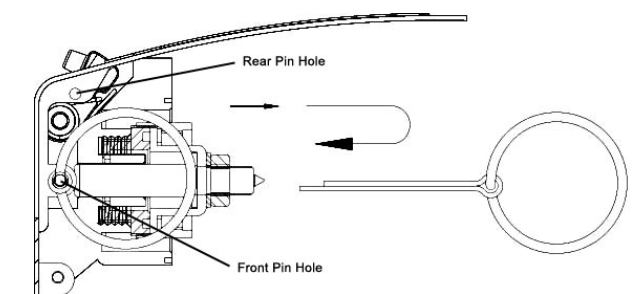


Striker Setup (Con')

- 2.2 Once the hammer was pulled down, insert the safety pin into the rear pin hole so that it can lock the torsion spring position.

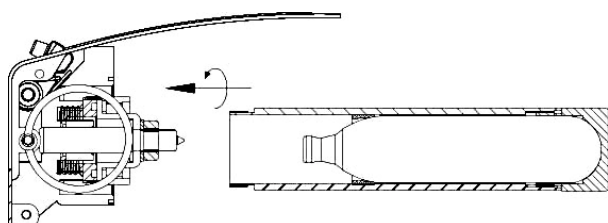


- 2.3 Pull the striker lever down, press and hold the lever by hand. Make sure the torsion spring did not bounce back at this stage. Eject the safety pin and insert it to the front pin hole.



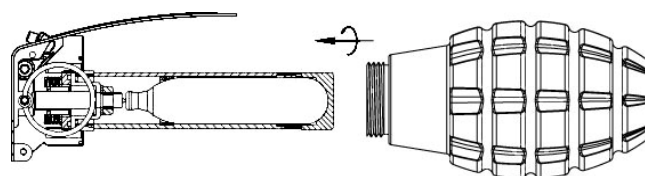
3. Connect to gas cylinder

- 3.1 Screw the pre-installed cylinder cover with the installed striker head



4. Connect to the Thunder B shell

- 4.1 Screw the pre-installed parts together with the plastic thunder B shell and you will finally get a toy grenade



Warning:

- Release thunder B and take cover if you hear the Co2 gas leaking from the cylinder cover.
- Gas leakage may cause unexpected explode of Thunder B which might injure the user
- Services and Maintenance of Thunder B is needed if you found gas leakage

B. Firing Procedure

1. Select a target
2. Find a safe place, take cover when you throw the Thunder B
3. Press and Hold the lever, eject the safety pin of thunder B
4. Immediately throw the Thunder B to the selected target, seriously check its landing position and make sure it doesn't roll back to its thrower
5. Thunder B normally explode itself between 2 to 4 seconds

C. Miss Fire Procedures

Miss fire means Thunder B does not explode after 2 minutes

1. For safety reason, put an object on the top of the Thunder B for another 3 minute
2. Use a sharp pin to strike the thunder B plastic shell to release the gas inside
3. Disassemble all parts slowly and check which part was broken
4. If thunder did not explode but inflated, please wait till it exploded